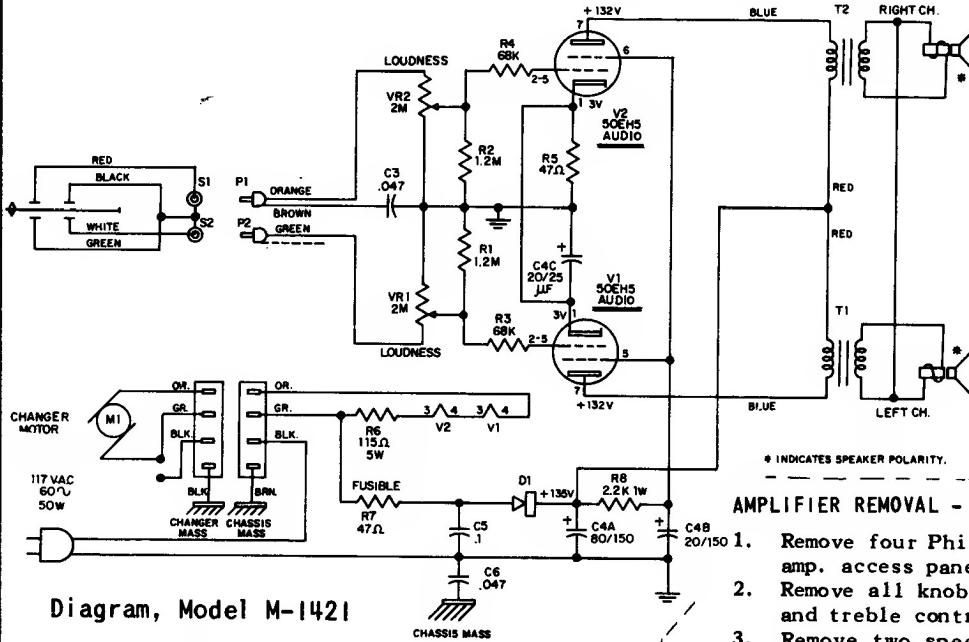


PHILCO  
Model M-1421  
and  
Model M-1529



Diagram, Model M-1421

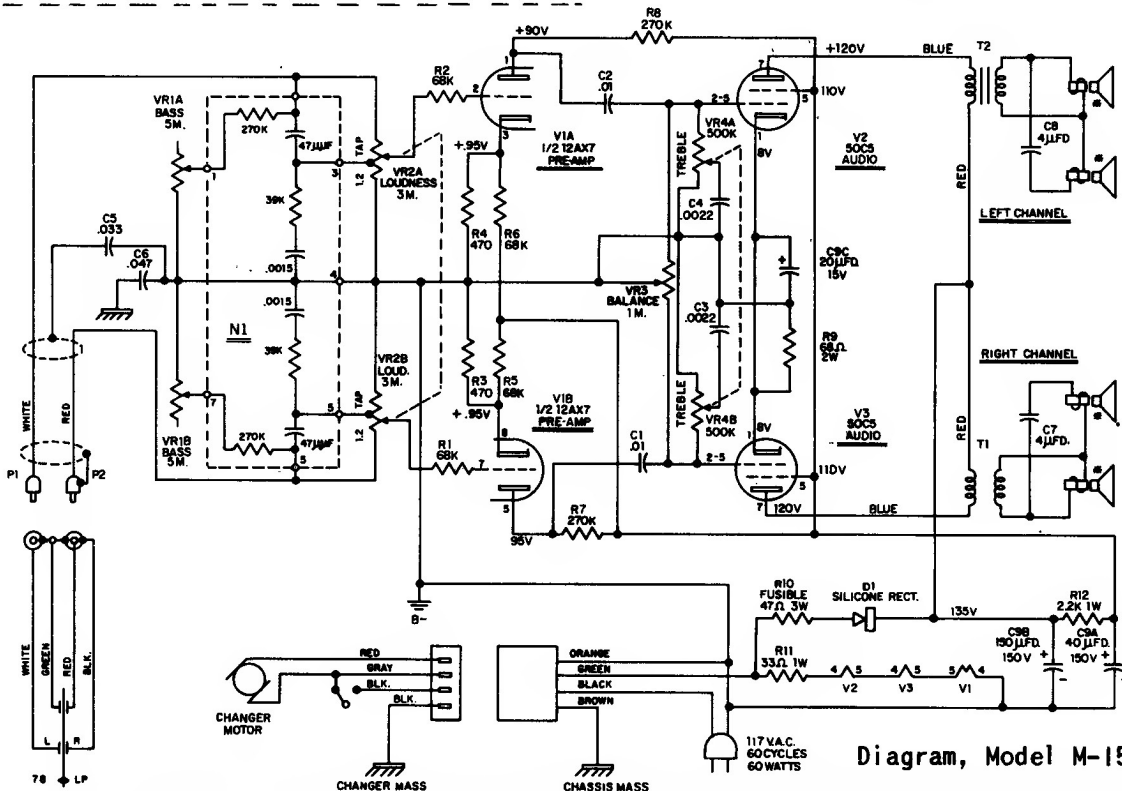
AMPLIFIER REMOVAL - MODEL M-1421

1. Remove six Phillips screws securing changer mounting board to cabinet.
2. Remove changer mounting board and amp. assembly.
3. Remove two T-nuts securing amp. to changer mounting board.
4. Amp. may now be removed.

\* INDICATES SPEAKER POLARITY.

AMPLIFIER REMOVAL - MODEL M-1529

1. Remove four Phillips screws securing rear amp. access panel and remove panel.
2. Remove all knobs and two T-nuts from bass and treble controls.
3. Remove two speed nuts on studs securing rear of chassis.
4. Straighten clip securing left side of changer. Lift left side of changer to free mounting screws. Slide changer to left in order to free right mounting screw.
5. Lift changer and remove phono power and phono input cables.
6. Remove two cable clamps securing phono power and phono input cables.
7. Remove amp. while feeding cables through slot in side of changer drawer.



Diagram, Model M-1529